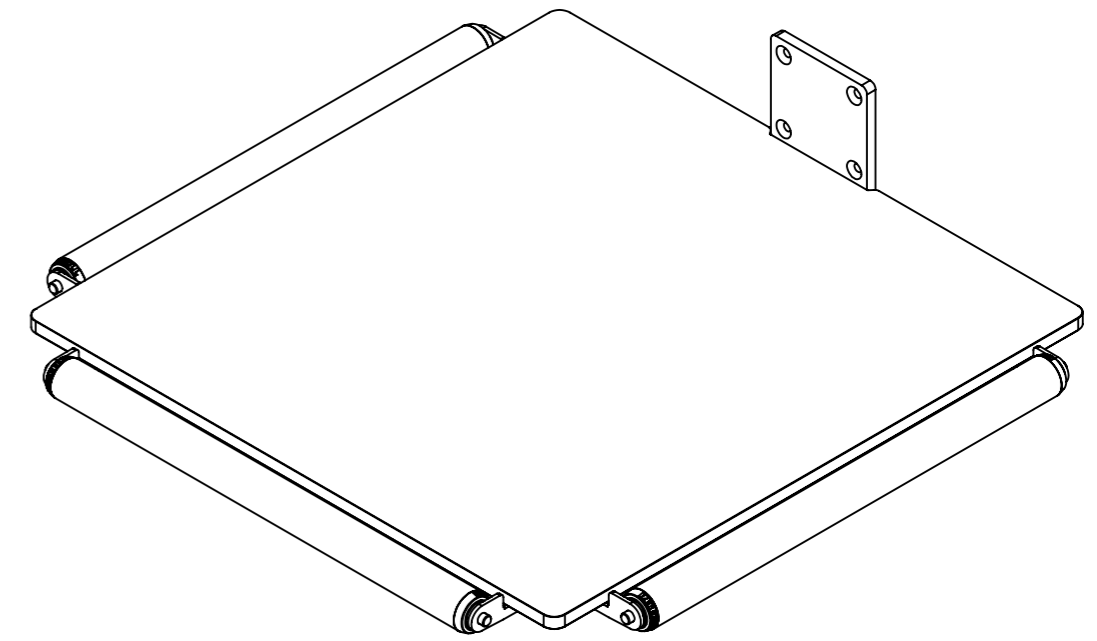
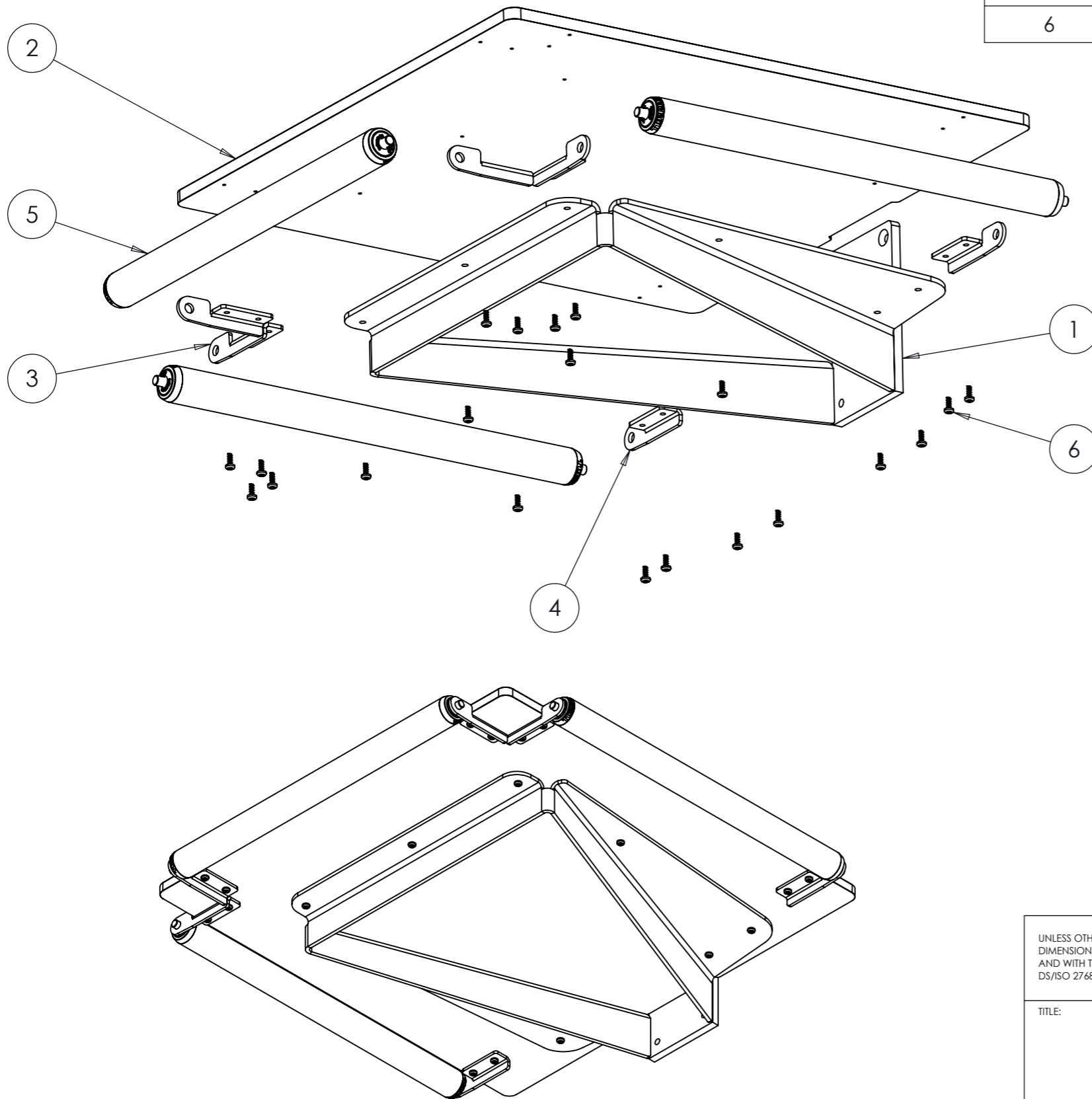



ITEM NO.	PART NUMBER	DESCRIPTION	QTY.	revision
1	30014719	Duck foot 2.0	1	1
2	30014717	PEHD plate 495x495x10	1	1
3	40003492	Beslag for rulle ø30 V	3	2
4	40003493	Beslag for rulle ø30 H	3	2
5	6210100342	Rulle ø30x394 EL PVC	3	1
6	81010490	K40 X 10mm	21	



UNLESS OTHERWISE SPECIFIED: DIMENSIONS ARE IN MILLIMETERS AND WITH TOLERANCES AFTER DS/ISO 2768-1 MIDDEL	FINISH:	DEBUR AND BREAK SHARP EDGES	DO NOT SCALE DRAWING	Revision: 1
			<b>HOVMAND</b>	
TITLE:		KP3		
		Stretch		
MATERIAL:	DWG NO.	40010696		A3
				1:4
WEIGHT: 7.80 Kg	DRAWN BY: RBK	Date[yy.mm.dd]: 19.08.23	SHEET 1 OF 1	