

1 2 3 4 5 6 7 8

A A

B B

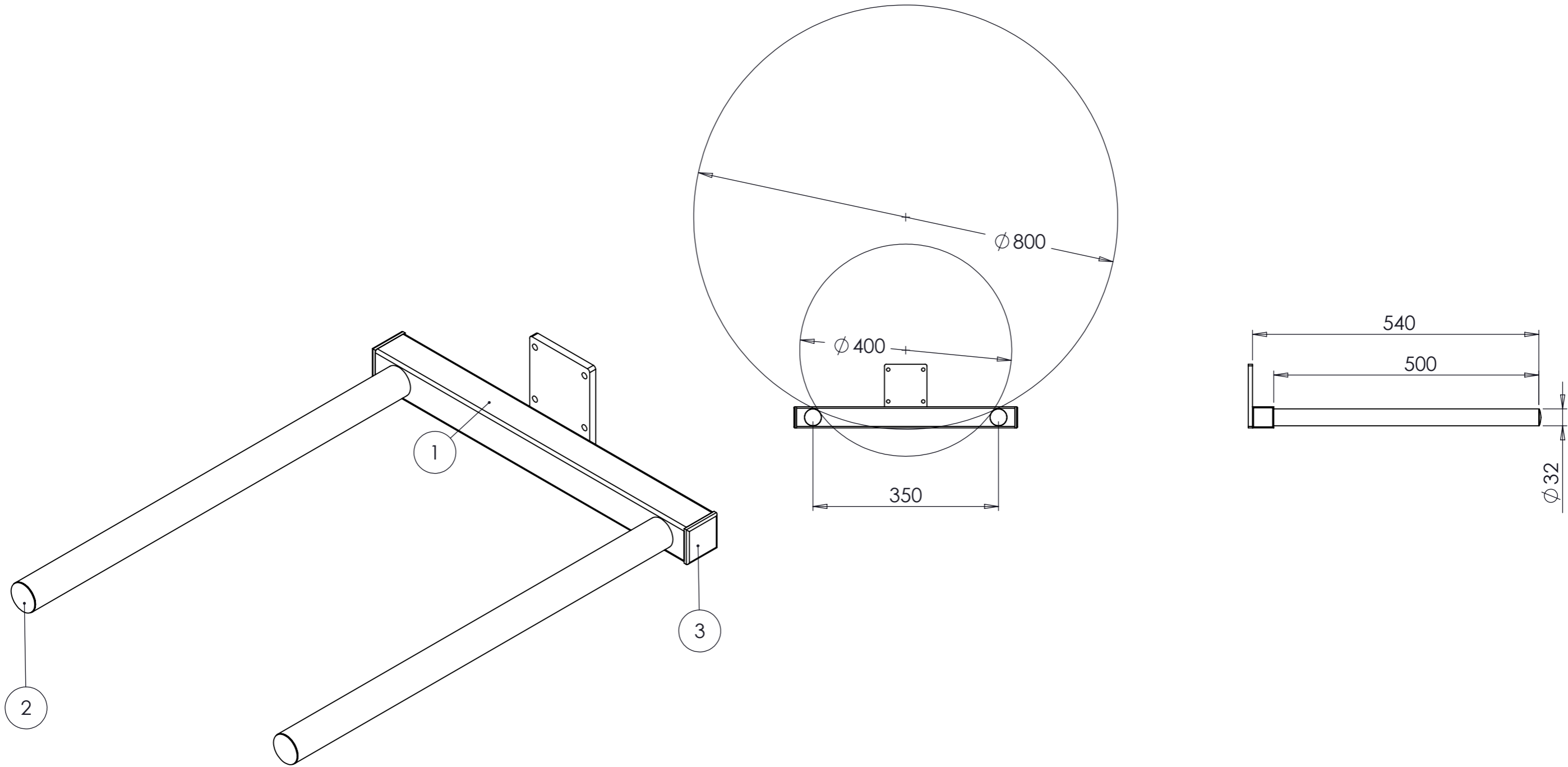
C C

D D

E E

F F

REVISIONS				
ZONE	REV.	DESCRIPTION	DATE	APPROVED
	02	Dorn opdateret så den har samme opbygning som DD1 og er elgalvaniseret	04-09-2020	KAS



UNLESS OTHERWISE SPECIFIED: DIMENSIONS ARE IN MILLIMETERS AND WITH TOLERANCES AFTER DS/ISO 2768-1 MIDDLE	FINISH: Electro-galvanized	DEBUR AND BREAK SHARP EDGES	DO NOT SCALE DRAWING	Revision: 2
	HOVMAND			
TITLE: Dobbeldorn ø32x500xC350 komplet DD2 Impact				
MATERIAL: Steel	DWG NO. 40010198	A3		
WEIGHT: 3.53 Kg	DRAWN BY: LL	Date[yy.mm.dd]: 13.12.06	SHEET 1 OF 1	

ITEM NO.	PART NUMBER	DESCRIPTION	QTY.	Revision
1	30007083	Dobbeldorn ø32x500xC350 svejst	1	2
2	81140001	Dupsko ø32x1-2 indv.	2	1
3	40001151	Dupsko 40x40 2-4mm	2	1

1 2 3 4