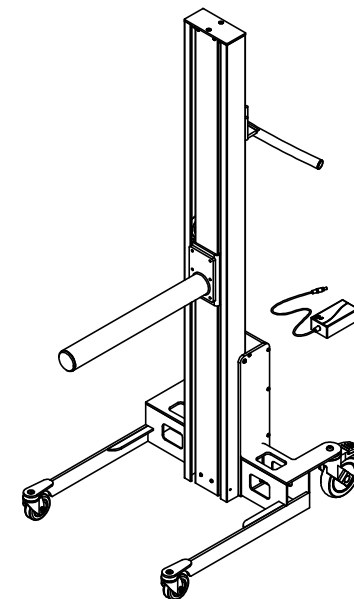
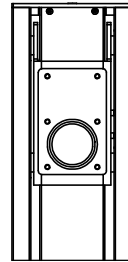


Lifting Stroke: ▲ 1245



The lift can be ordered with different fixed heights: H, M, L

Add or subtract the ▲-values on the drawing with the number below:

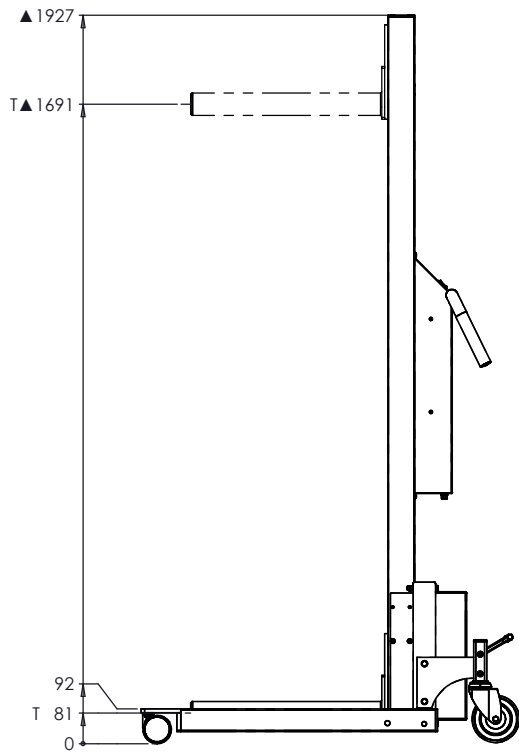
M: +400
L: 0
S: -295

The tool is fixed.

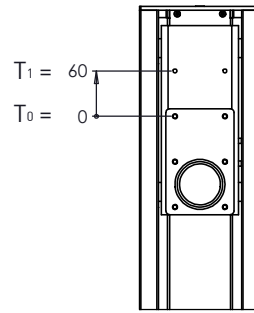
The T-values on the drawing show the maximum and minimum lifting position for the tool.

D1 = D1 + D2

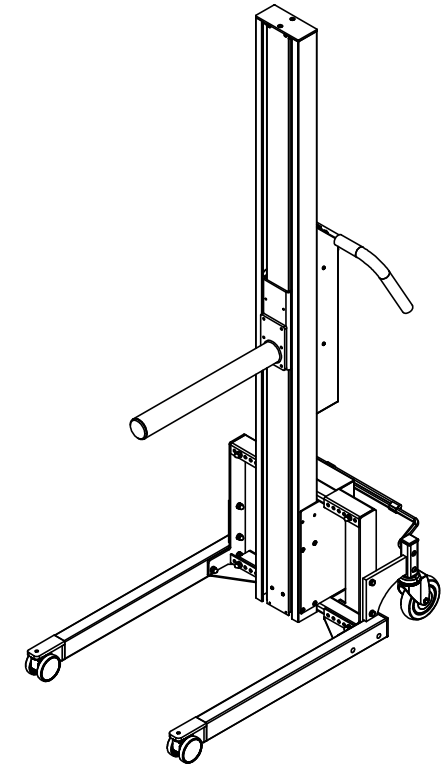
FINISH:	Dimensions: +/- 5 mm	HOVMAND	
TITLE:		Impact 70L Box-75s + D1	
MATERIAL:	DWG NO.	10020500000 + D1	Revision: 1
WEIGHT: 34.30 Kg		DRAWN BY: KKP	Date[yy.mm.dd]:20.05.11



Lifting Stroke: ▲ 1610



T-values

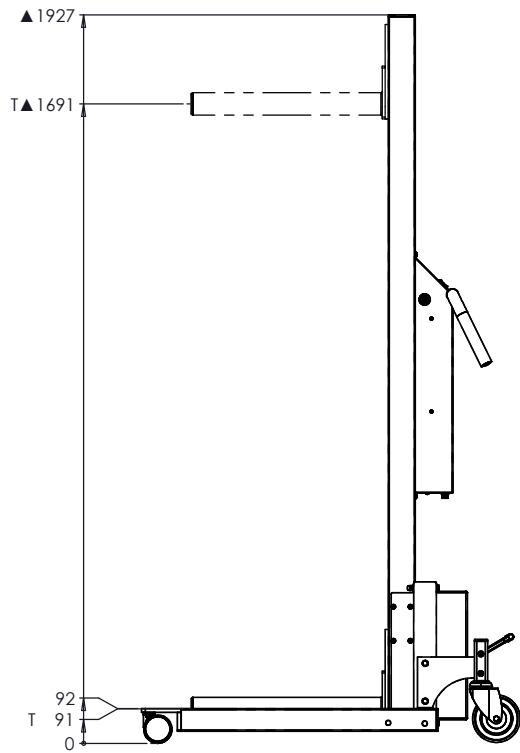


The lift can be ordered with different fixed heights: H, M, L
 Add or subtract the ▲-values on the drawing with the number below:
 M: 0
 L: -400

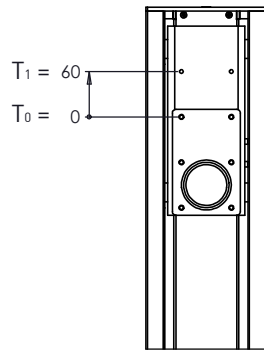
The tool can be fixed at different height positions.
 Add the T-values on the drawing with one of the numbers below:
 T₁ = +60
 T₀ = +0

Boom = D1 + D2

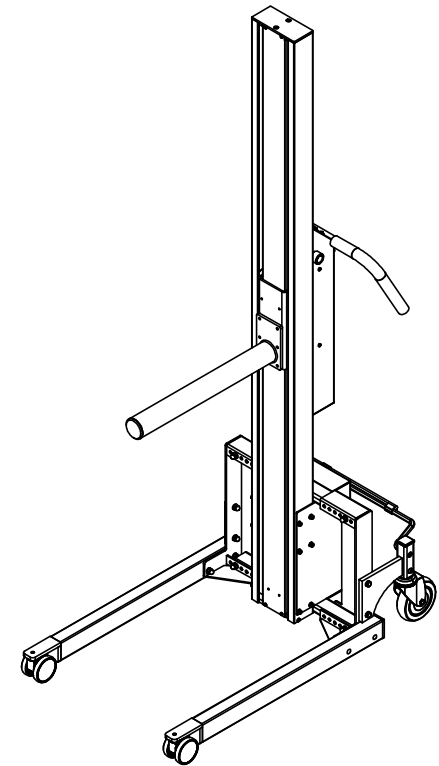
FINISH:	Dimensions: +/- 5 mm	HOVMAND	
TITLE: Impact 80M FC1-650-75ds + Boom			
MATERIAL:	DWG NO. 110205000002 + Boom	Revision: 1	
WEIGHT: 55.76 Kg		DRAWN BY: KKP	Date[yy.mm.dd]:20.05.06



Lifting Stroke: ▲ 1600



T-values



Boom = D1, D2

The lift can be ordered with different fixed heights: H, M, L

Add or subtract the ▲-values on the drawing with the number below:

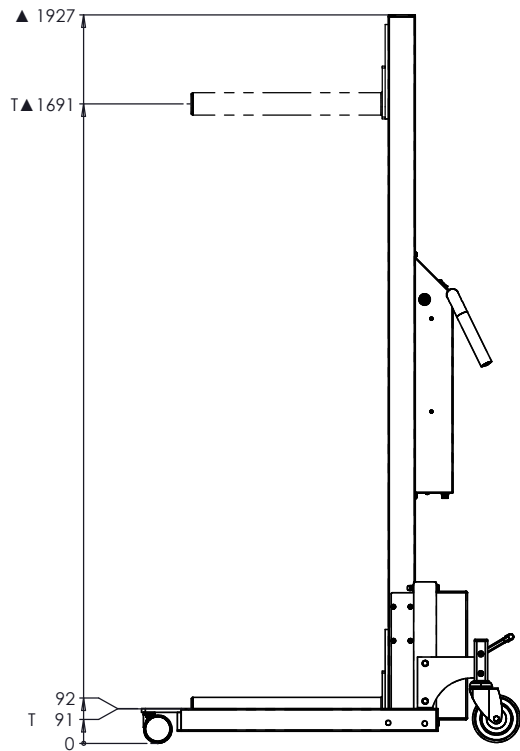
- H: +400
- M: 0
- L: -400

The tool can be fixed at different height positions.

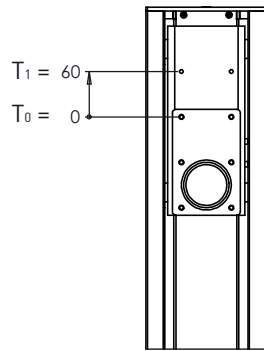
Add the T-values on the drawing with one of the numbers below:

- T₁ = +60
- T₀ = +0

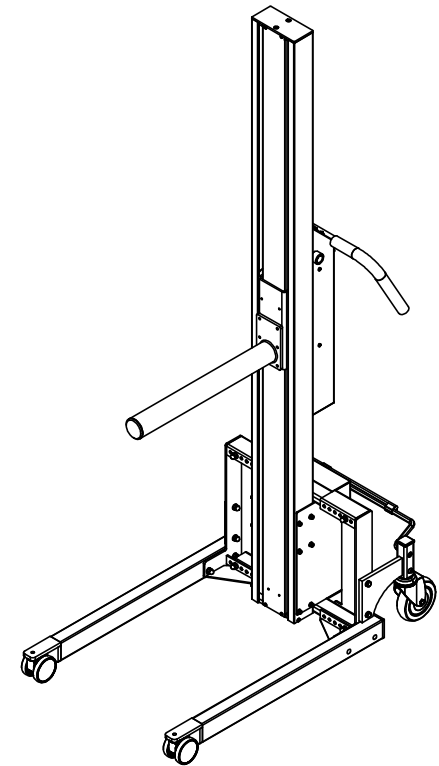
FINISH:	Dimensions: +/- 5 mm	HOVMAND	
TITLE: Impact 90M FC1-650-75ds + Boom			
MATERIAL:	DWG NO.	150205000000 + Boom	Revision: 1
WEIGHT: 55.81 Kg		DRAWN BY: KKP	Date[yy.mm.dd]:20.04.30
			SHEET 1 OF 1



Lifting Stroke: ▲ 1600



T-values



Boom = D1, D2

The lift can be ordered with different fixed heights: H3, H2, H, M, L

Add or subtract the ▲-values on the drawing with the number below:

- H3: +1120
- H2: +620
- H: +400
- M: 0
- L: -400

The tool can be fixed at different height positions.

Add the T-values on the drawing with one of the numbers below:

- T₁ = +60
- T₀ = +0

FINISH:	Dimensions: +/- 5 mm	HOVMAND	
TITLE: Impact 130M FC1-650-75ds + Boom			
MATERIAL:	DWG NO. 22021108000 + Boom 22021108000 + Boom	Revision: 1	
WEIGHT: 60.59 Kg	DRAWN BY: KKP	Date[yy.mm.dd]:20.04.30	SHEET 1 OF 1