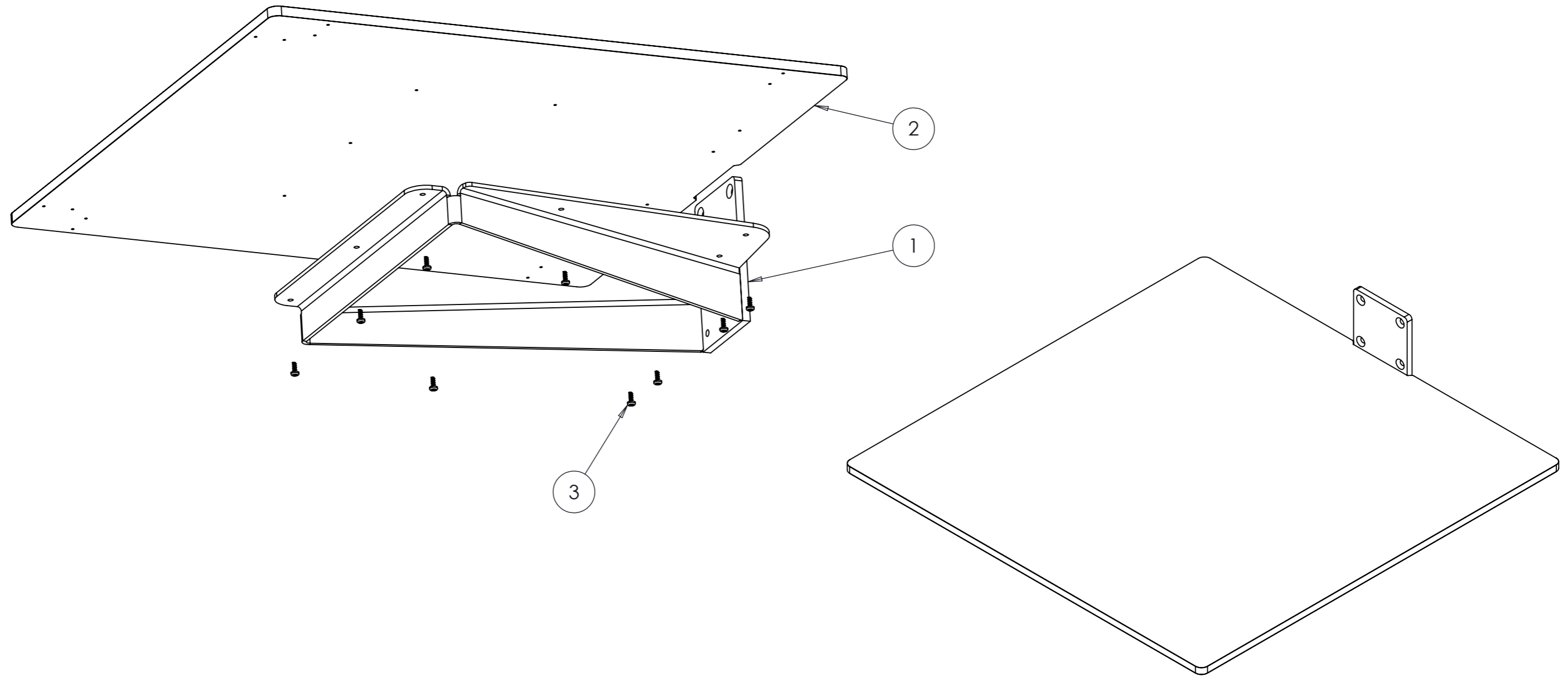



ITEM NO.	PART NUMBER	DESCRIPTION	QTY.	revision
1	30014719	Duck foot 2.0	1	1
2	30014718	PEHD plate 600x600x10	1	1
3	81010490	K40 X 10mm	9	



UNLESS OTHERWISE SPECIFIED: DIMENSIONS ARE IN MILLIMETERS AND WITH TOLERANCES AFTER DS/ISO 2768-1 MITTEL	FINISH:	DEBUR AND BREAK SHARP EDGES	DO NOT SCALE DRAWING	Revision: 1
			<b>HOVMAND</b>	
TITLE:		KP2		
		Stretch		
MATERIAL:	DWG NO.		40010695	A3
				
WEIGHT: 7.27 Kg	DRAWN BY: RBK	Date[yy.mm.dd]: 19.08.23	SHEET 1 OF 1	