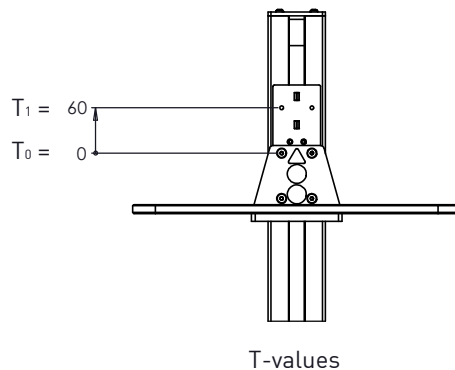
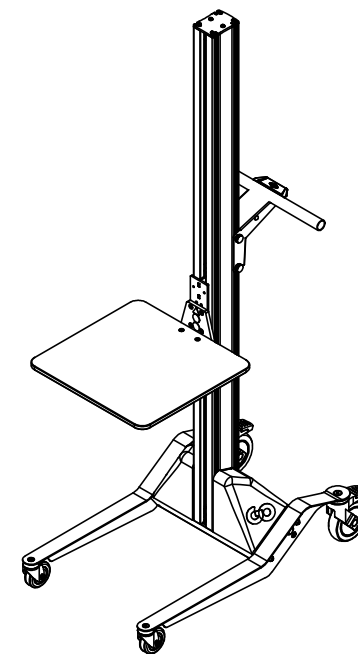


Lifting Stroke: ▲ 1325



T-values



The lift has a fixed height.

The tool can be fixed at different height positions.

Add the T-values on the drawing with one of the numbers below:

T₁ = +60
T₀ = +0

Go-LIFT + W

FINISH:	Dimensions: +/- 5 mm	HOVMAND	
TITLE:		Go-LIFT, komplet Lifter - complete GO-LIFT	
MATERIAL: test	DWG NO. 610101120	Revision: 1	
WEIGHT: 26.60 Kg	DRAWN BY: KAS	Date[yy.mm.dd]: 19.10.16	SHEET 1 OF 1