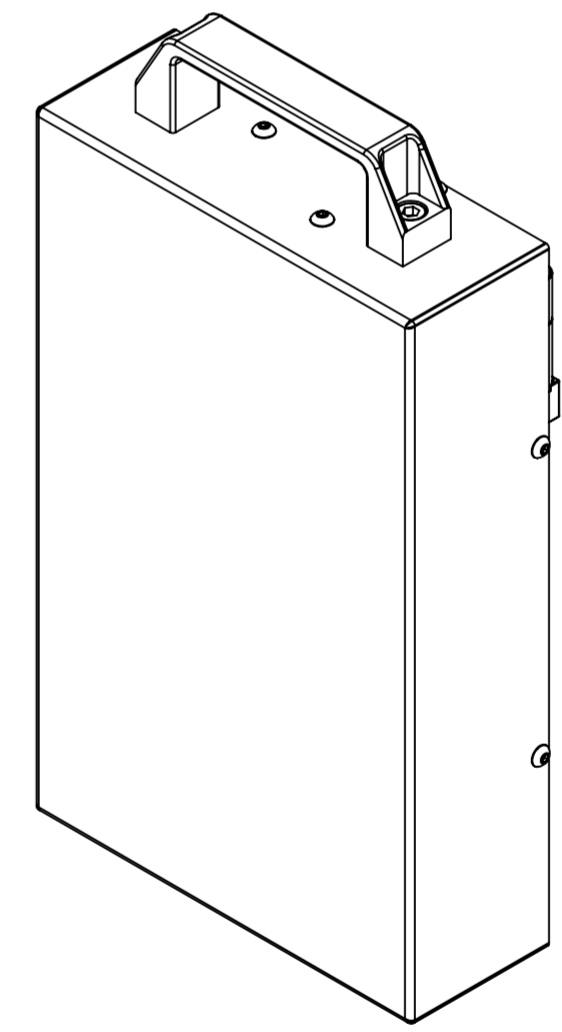


ITEM NO.	PART NUMBER	DESCRIPTION	QTY.	revision
1	30008966	Bund batterikasse 18AH	1	1
2	30008967	Låg batterikasse 18AH	1	1
3	30008968	C-Profil for batterikasse	1	1
4	84010068	Batteri 12V 9AH	4	3
5	84030048	Sikringsholder pladesikring	1	1
6	81150018	Greb 150mm.	1	1
7	40004232	Mellemstykke for ladestik 50AH rød	1	2
8	84030049	Ladestik 50AH rød	1	1
9	84130034	Tylle 6/9/12-3	2	1
10	84280222	Ledningssæt 18AH batterikasse 2 polet	1	1
11	81060011	Poprivte 4,8x14 ALU/Stål	4	1
12	81020049	Låsemøtrik M8 A2 DIN 985	2	
13	81020047	Låsemøtrik M5 A2 DIN 985	2	
14	81010233	Skrue M8x20 CH A2 DIN 912	2	
15	81010258	Skrue 5x12 RH A2 ISO 7380	2	
16	81020046	Låsemøtrik M4 A2 DIN 985	2	
17	81010341	Skrue M4x25 CH A2 DIN 912	2	
18	81010257	Skrue 5x10 RH A2 ISO 7380	8	



UNLESS OTHERWISE SPECIFIED: DIMENSIONS ARE IN MILLIMETERS AND WITH TOLERANCES AFTER DS/ISO 2768-1 MIDDEL	FINISH:	EP	DEBUR AND BREAK SHARP EDGES	DO NOT SCALE DRAWING	Revision: 1
	<b>HOVMAND</b>				
TITLE: Battery unit 18AH Battery unit 18Ah - Swap Battery swap					
MATERIAL:	SS	DWG NO.	30008965	A2	
WEIGHT: 14.57 Kg		DRAWN BY: LL		SHEET 1 OF 1	