
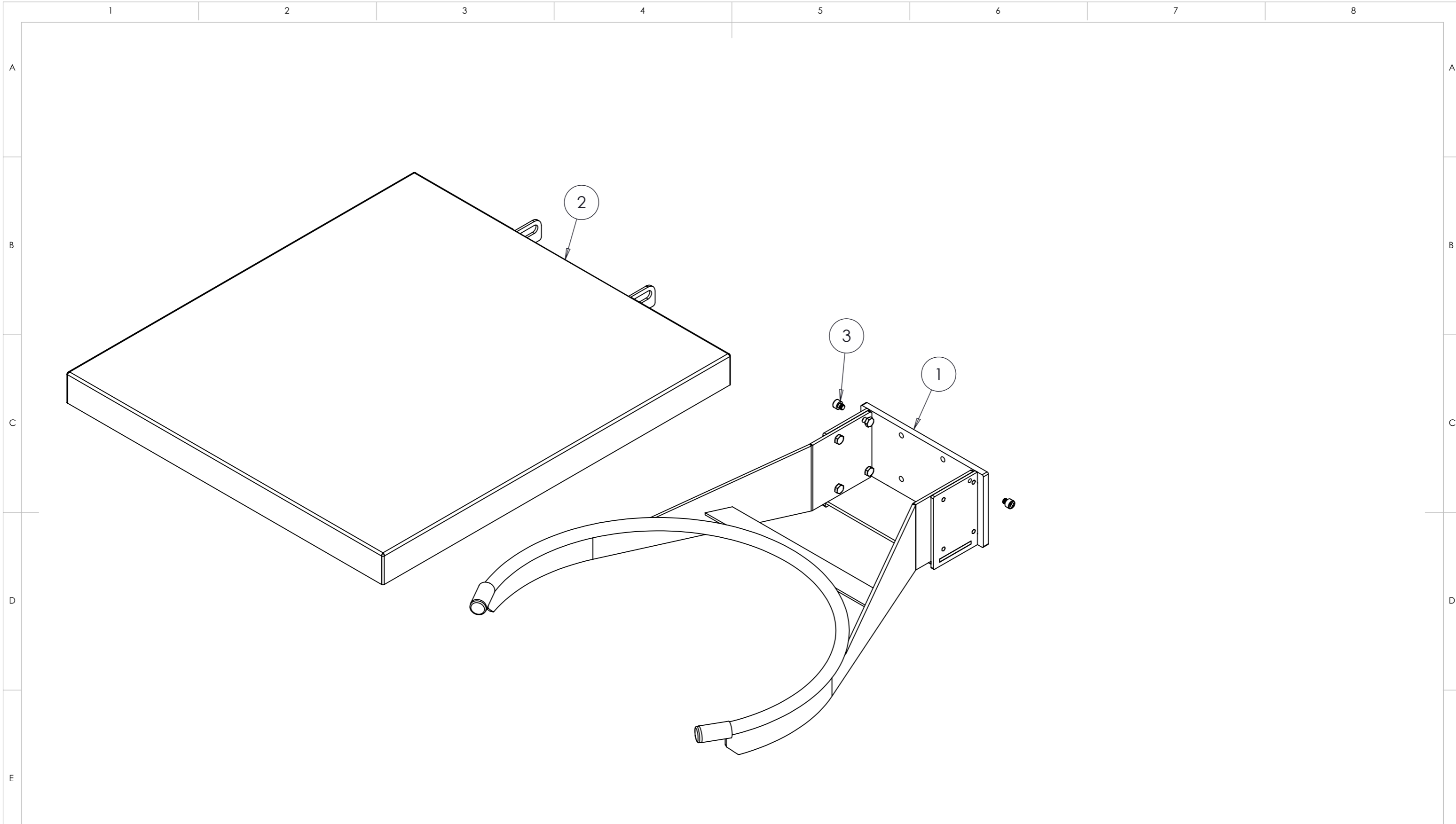


UNLESS OTHERWISE SPECIFIED: DIMENSIONS ARE IN MILLIMETERS AND WITH TOLERANCES AFTER DS/ISO 2768-1 MIDDEL	FINISH:	El poleret	DEBUR AND BREAK SHARP EDGES	DO NOT SCALE DRAWING	Revision: 3
	TITLE:			<b>HOVMAND</b>	
			Kedelgaffel 80-140L Emma 4		
			Emma		
MATERIAL:	SS	DWG NO.	40010125	A3	
				1:5	
WEIGHT: 11.17 Kg		DRAWN BY: FHN		Date[yy.mm.dd]: 16.04.13	SHEET 1 OF 2



ITEM NO.	PART NUMBER	DESCRIPTION	QTY.	revision
1	30003360	Gaffel og bagprofil	1	3
2	30003362	Plade svejsning	1	2
3	81010516	Skrue M6x6 CH A2 DIN 912	2	

UNLESS OTHERWISE SPECIFIED: DIMENSIONS ARE IN MILLIMETERS AND WITH TOLERANCES AFTER DS/ISO 2768-1 MIDDLE	FINISH:	El poleret	DEBUR AND BREAK SHARP EDGES	DO NOT SCALE DRAWING	Revision: 3
	<b>HOVMAND</b>				
TITLE: Kedelgaffel 80-140L Emma 4					
Emma					
MATERIAL:	SS	DWG NO.	40010125	A3	
WEIGHT: 11.17 Kg		DRAWN BY: FHN	Date[yy.mm.dd]: 16.04.13	SHEET 2 OF 2	

