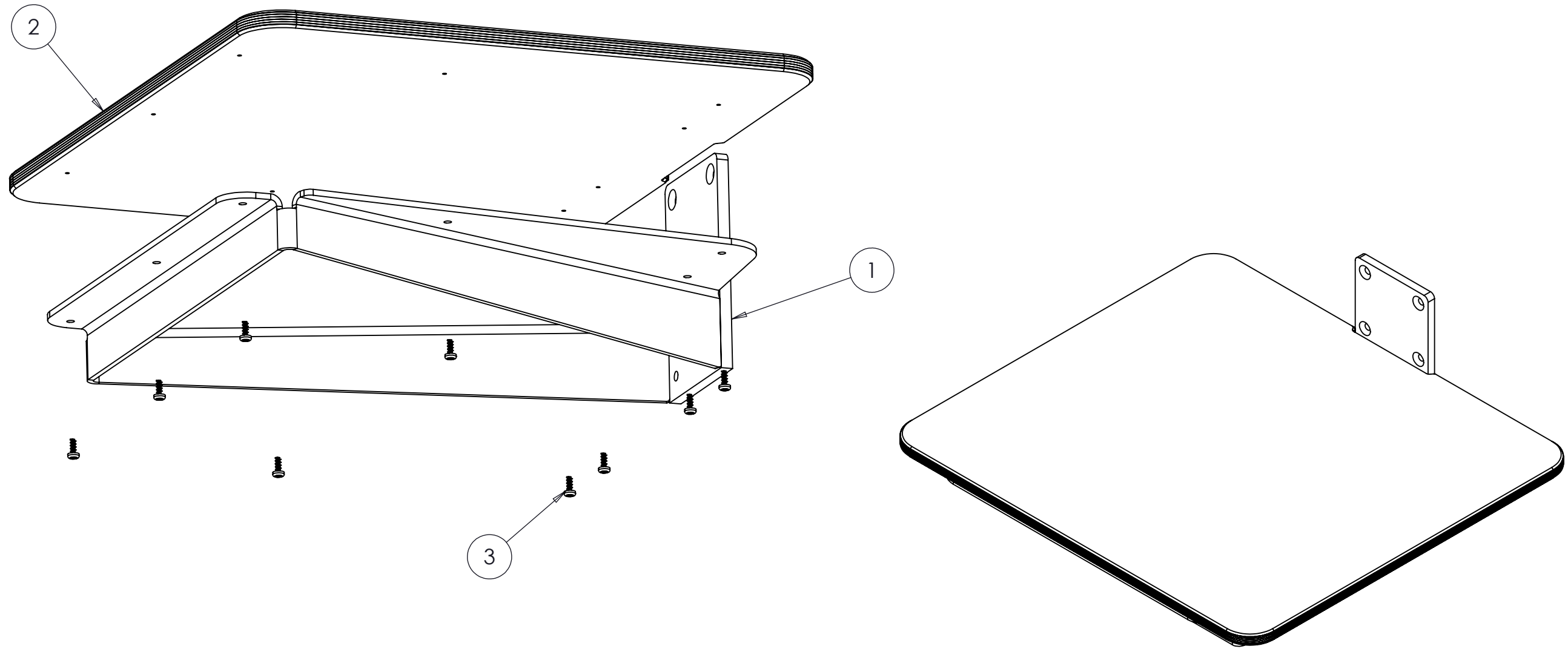



| ITEM NO. | PART NUMBER | DESCRIPTION                    | QTY. | revision |
|----------|-------------|--------------------------------|------|----------|
| 1        | 30014719    | Duck foot 2.0                  | 1    | 1        |
| 2        | 30014922    | Birch plywood plate 400x450x12 | 1    | 1        |
| 3        | 81010490    | K40 X 10mm                     | 9    |          |



|   |                |   |                      |             |
|---|----------------|---|----------------------|-------------|
| UNLESS OTHERWISE SPECIFIED:<br>DIMENSIONS ARE IN MILLIMETERS<br>AND WITH TOLERANCES AFTER<br>DS/ISO 2768-1 MITTEL | FINISH:        | DEBUR AND<br>BREAK SHARP<br>EDGES   | DO NOT SCALE DRAWING | Revision: 1 |
|   | <b>HOVMAND</b> |   |                      |             |
| TITLE:  |                | W1<br>Stretch   |                      |             |
| MATERIAL:   | DWG NO.        | 40010690  |                      | A3          |
|   |                |  |                      | 1:3         |
| WEIGHT: 4.56 Kg   | DRAWN BY: RBK  | Date[yy.mm.dd]:20.09.25   | SHEET 1 OF 1         |             |