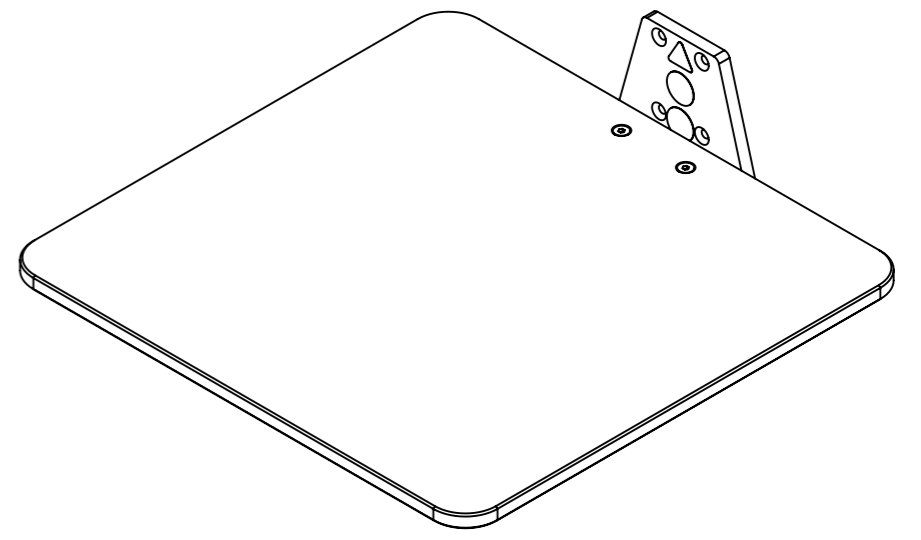
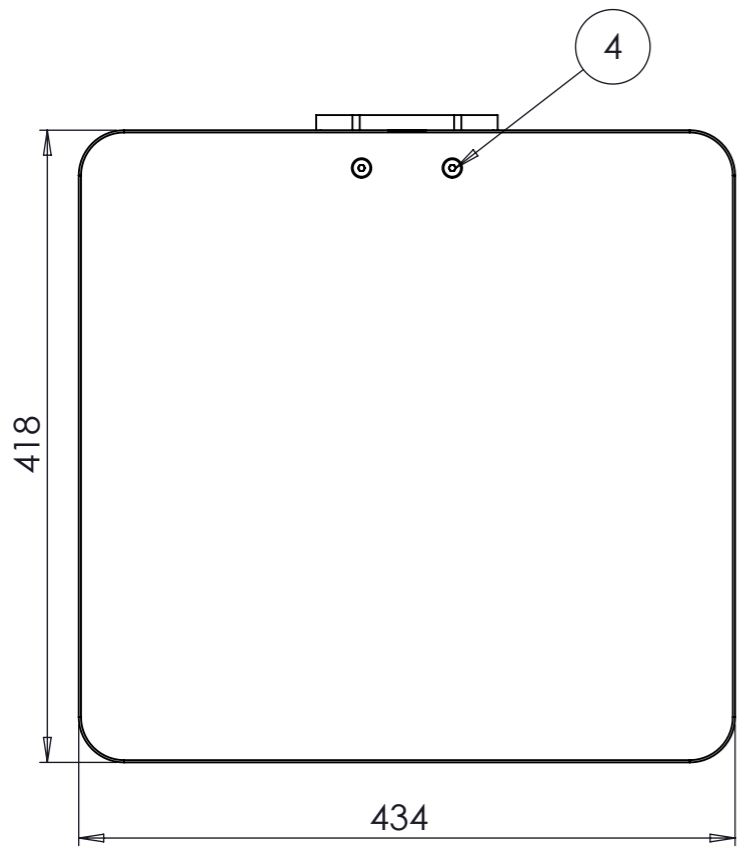
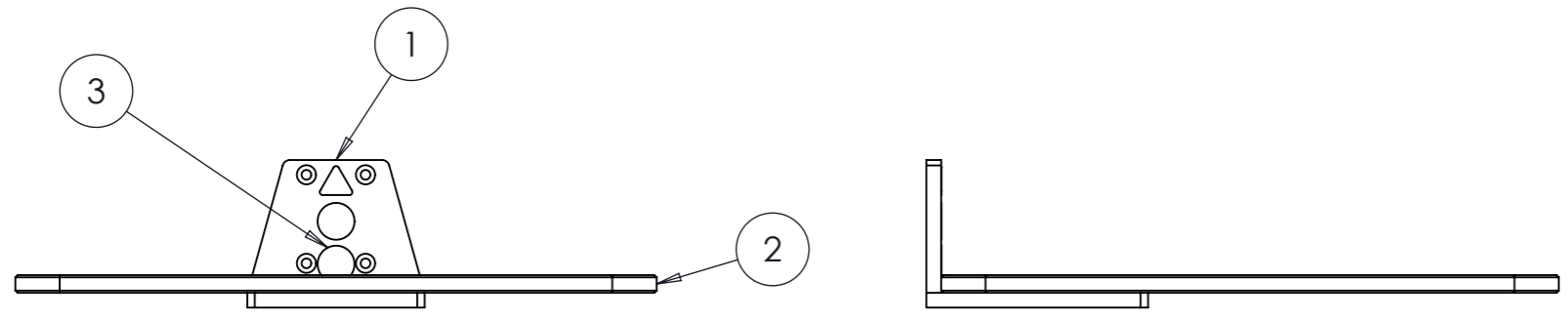


1 2 3 4 5 6 7 8

A
B
C
D
E
F



ITEM NO.	PART NUMBER	DESCRIPTION	QTY.	revision
1	30010883	Vinkel for platform	1	1
2	30012804	Plade for platform	1	1
3	klistermærker	Klistermærker	1	1
4	81010436	Screw M6x20 CS FZB DIN 7991	2	

UNLESS OTHERWISE SPECIFIED: DIMENSIONS ARE IN MILLIMETERS AND WITH TOLERANCES AFTER DS/ISO 2768-1 MIDDLE	FINISH: Anodiseret natur	DEBUR AND BREAK SHARP EDGES	DO NOT SCALE DRAWING	Revision: 1
	HOVMAND			
TITLE: Platform GO-Lift komplet Platform - Complete GO-Lift				
MATERIAL: ALU	DWG NO. 30013377			A3
WEIGHT: 2.13 Kg	DRAWN BY: KAS	Date[yy.mm.dd]: 18.12.21	SHEET 1 OF 1	

1 2 3 4