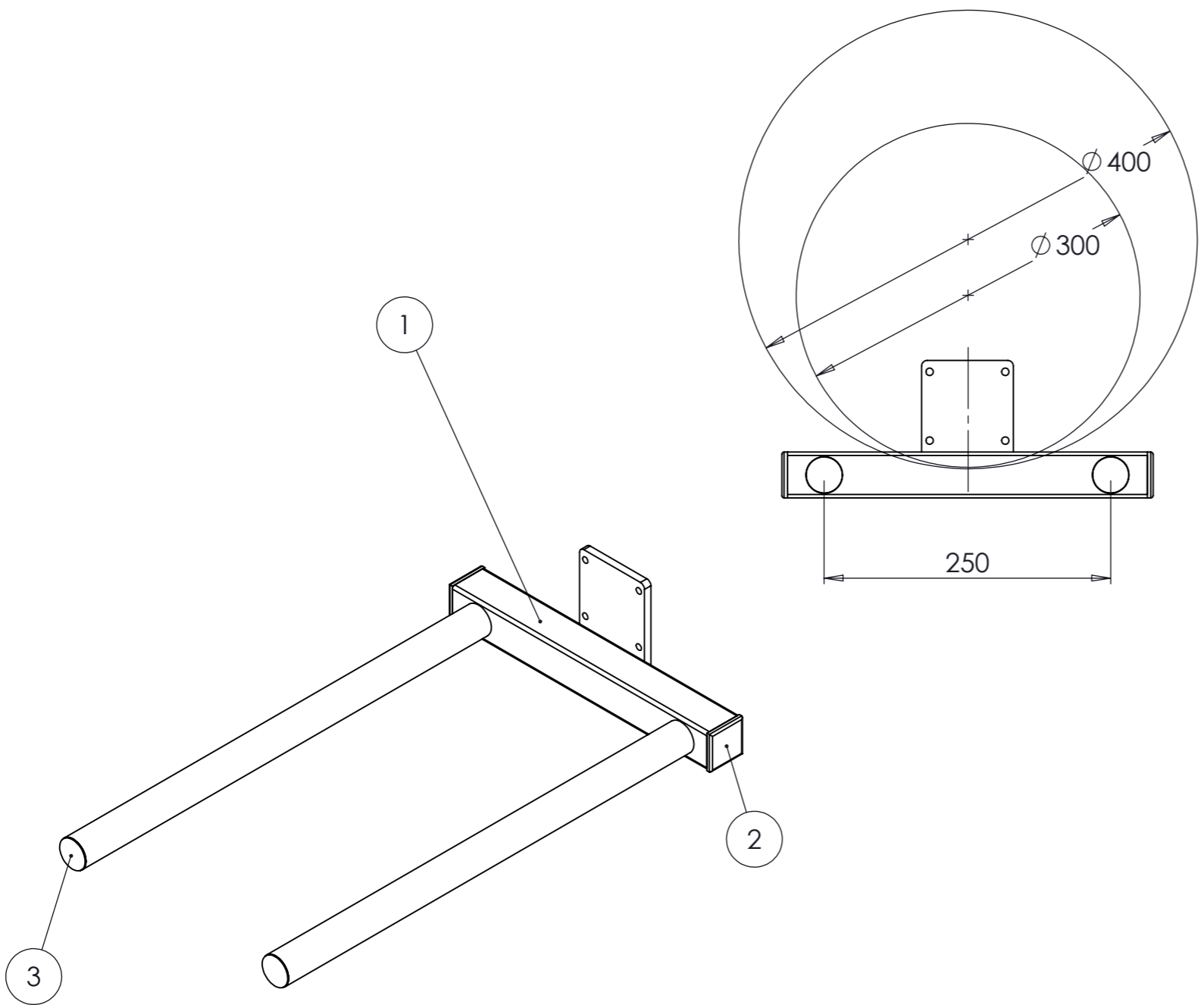


REVISIONS				
ZONE	REV.	DESCRIPTION	DATE	APPROVED
-	1	Creation of drawing	-	-
-	2	Added two additional 81140001 to close the holes on the back.	30.01.20	SKJ



ITEM NO.	PART NUMBER	DESCRIPTION	QTY.	Revision
1	30000447	DD1-svejst	1	2
2	40001151	Dupsko 40x40 2-4mm	2	1
3	81140001	Dupsko ø32x1-2 indiv.	4	1

UNLESS OTHERWISE SPECIFIED: DIMENSIONS ARE IN MILLIMETERS AND WITH TOLERANCES AFTER DS/ISO 2768-1 MIDDEL				FINISH: Malet	DEBUR AND BREAK SHARP EDGES	DO NOT SCALE DRAWING	Version: 2
				HOVMAND			
				Dobbelt dorn ø32x500xC250 DD1 Impact			
				MATERIAL: Stål	DWG NO. 40010197 40010197		A3
				WEIGHT: 3.20 Kg	DRAWN BY: LL DATE: 13.09.30		SHEET 1 OF 1

REVISION	NAME	LOCATION	DATE	TITLE:
2				
3				
4				
5				
6				
7				
8				
9				